

# AVC300F MANUAL 0258

## INSTALLATION

### Console Power Supply / Relay Unit

On the console connect the mains input to a 230V AC supply. The mains connects to the console via a 3 core cable on the back.

The control relay is inside the console and will control the fan starter.

When the fan starter control (relay) is energized the display shows 'FAN ON' and the two wires in the fan control cable will become short.

The RH/Temperature sensor is connected to the console 4 way panel mount connector via a 10m cable

### Console Fixing

The console can either be mounted on the bracket supplied for wall fixing or can be directly mounted into a control cabinet, to do this remove the bracket and use the two fixing studs provided.

For use, see OPERATING INSTRUCTIONS

### RH and Temperature Sensor -

Connect the 10m sensor lead to the RH/Temp connector socket then connect up the RH sensor itself after it has been mounted in a suitable position.

The RH sensor should be mounted where it can sense the air.

The sensor should not be exposed to the direct effects of the weather, eg sun and rain.

## **WARNING**

**THIS PRODUCT SHOULD ONLY BE USED IN CONJUNCTION WITH A CROP CONDITIONING AND STORAGE MANAGEMENT REGIME.**

**REFERENCE TO BULK GRAIN DRYING AND CONDITIONING LEAFLET WILL ASSIST, BUT IF IN DOUBT A QUALIFIED AGRONOMIST SHOULD BE CONSULTED.**

## AVC300F Cont

### Operating Instructions.

1. Review the front panel drawing (Dia 4) and note the key numbering sequence 1 to 8
2. Keys 1 and 2 are used in conjunction with the other 6 keys to adjust settings
3. Key 3 %RH
  - A) Check the ACTUAL RH read by the ambient sensor
  - B) Set Target (high value of RH) use keys 1&2. The controller starts the fan ventilating if ACTUAL RH is less than SET TARGET RH.
  - C) Set the low value of RH (use keys 1&2). The controller stops the fan ventilating if ACTUAL RH is less than LOW RH.
4. Key 4 TEMP
  - A) ACTUAL Check the ambient temperature read by the ambient sensor
  - B) TARGET TEMP set with keys 1&2 , When ambient temperature is less than TARGET ventilation will start and stop when TARGET is exceeded.
  - C) DIFF SET set with keys 1&2 , sets difference between Ambient and Average crop Temperature for auto cooling.
  - D) CROP TEMP check connected crop probes with keys 1&2 .
  - E) AVERAGE Check average of connected crop probes, as standard this is The temperature used for differential cooling.
  - F) HI PROBE check what the highest crop probe is.

C,D,E and F are only visible if Diff mode is selected and the system has crop probes

## AVC300F Cont

### 5. KEY 5. CHECK

This key allows the operator to view which function the system is checking and operating in at any time. Press Key 5 during the check mode to move onto the next check. Refer to flow chart for check sequence

### 6. KEY 6. MODE

The fan can be manually controlled or selected to run in automatic

A) MANUAL OFF, Ventilation stopped at ALL time.

B) MANUAL ON, Ventilation runs at ALL times

C) AUTO MODE, Ventilation is under automatic control

Select Drying (RH Mode) ,Cooling (Temperature Mode) , RH and Temp mode or Diff and RH mode with keys 1 and 2

### 7. KEY 7. CLOCK

A) The real time clock can be adjusted using keys 1&2, after adjustment press clock key to re-start clock (flashing colon)

B) SYSTEM ON, The system can be controlled by the clock, to set system ON time use keys 1&2, Automatic ventilation is enabled

C) SYSTEM OFF, to set system OFF time use keys 1&2, all ventilation is disabled during the OFF period

D) FAN run time shown for the last 24Hrs (Not re-settable)

E) Total fan run time, Reset by pressing KEY 1 and KEY 2 at the same time.

NOTE. To disable the system on/off function set SYSTEM ON and SYSTEM OFF time to zero

## AVC300F Cont

KEY 8. Used to enter secret setting - wait time.

Hold Key 7 (clock) and Key 8 for 6 seconds to enter wait time.

This time will limit the amount of times the fan can start per hour.

If wait time is set to 15 minutes then the maximum time the fan can start

Would be 4 time per hour.

A quick visual guide to all the above functions can be found on the sheet “KEYPAD OPERATION AND DISPLAY MESSAGES”

Dia 2

### AVC300F Controller Dimension

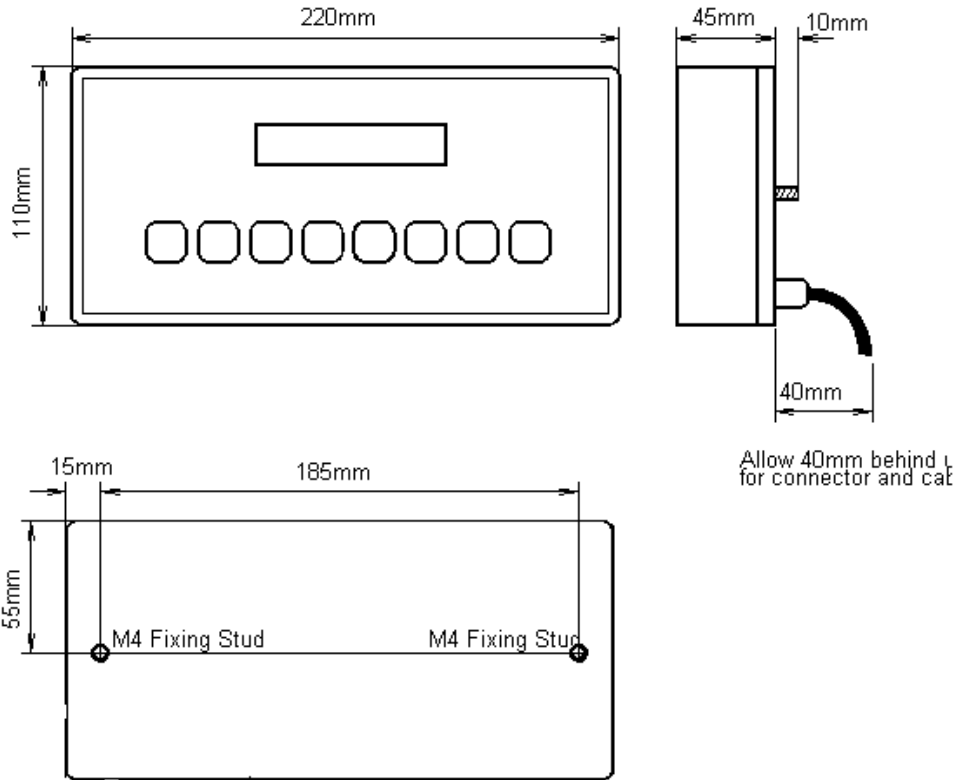
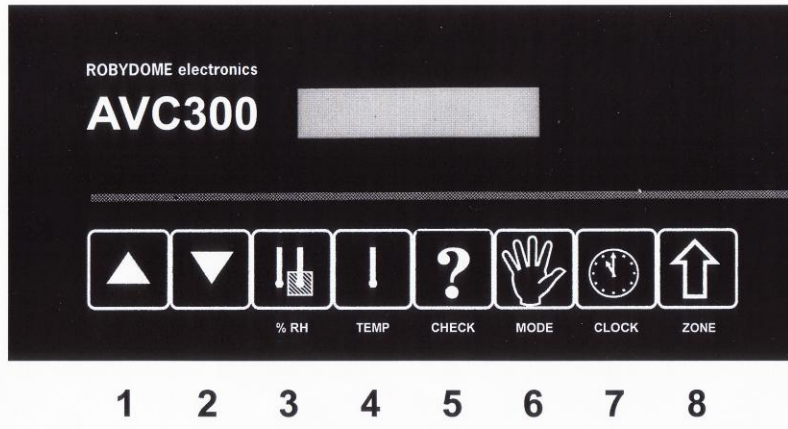
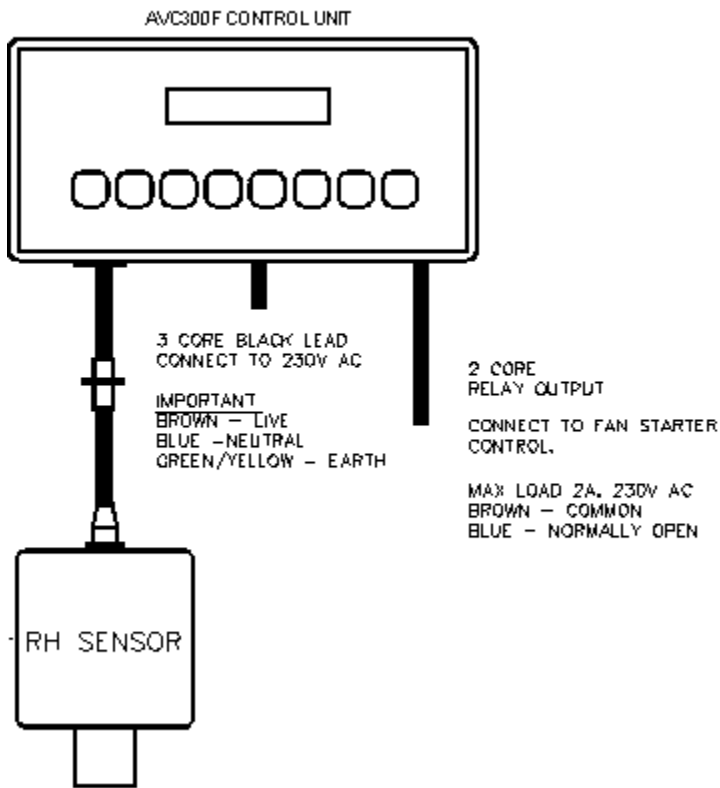


DIAGRAM 4



# AVC300F DIAGRAM 1





DESIGN AND CONSTRUCTION OF THE SYSTEM SHALL BE THE RESPONSIBILITY OF THE USER. THE MANUFACTURER SHALL NOT BE RESPONSIBLE FOR ANY DAMAGE TO THE SYSTEM OR TO THE USER'S EQUIPMENT.

Wiring = 1.5mm<sup>2</sup> PVC  
I = 10A  
M = 1000VA  
AC 230V  
t = 1000h

I = 10A  
M = 1000VA  
AC 230V

Connect the device to the power supply in accordance with the wiring diagram.

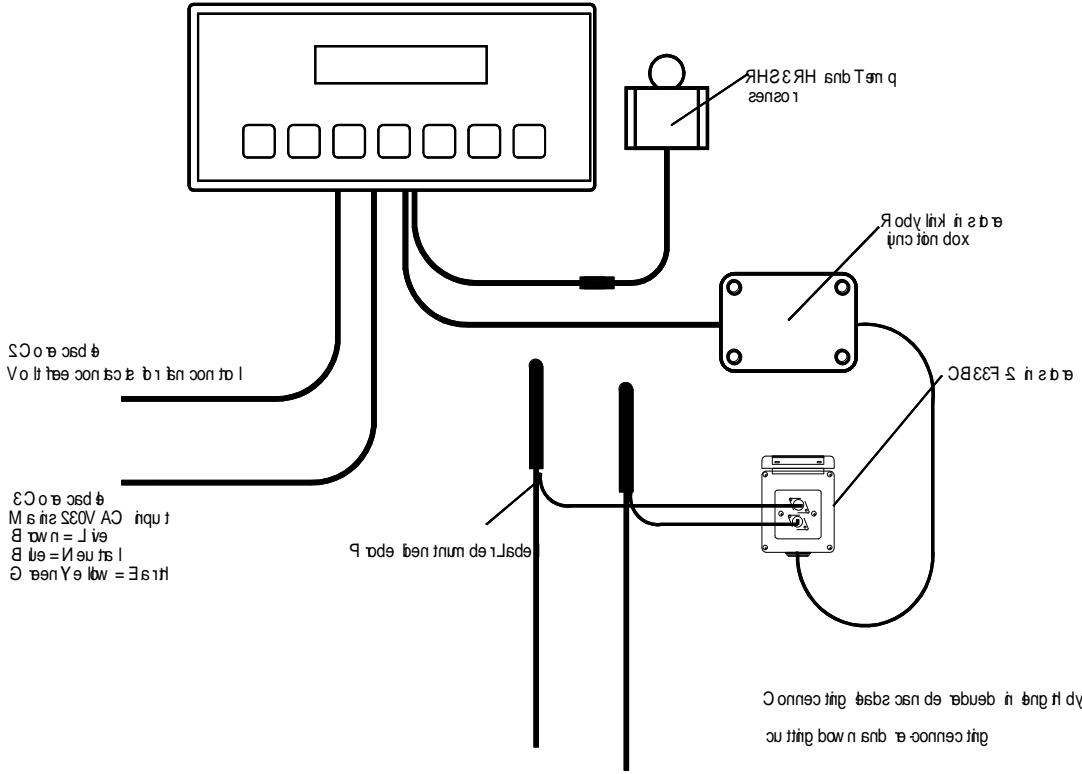
epsl.r ep mut ueq epd P

ads n z F33BC

ads n kni yd R  
xox nst cont

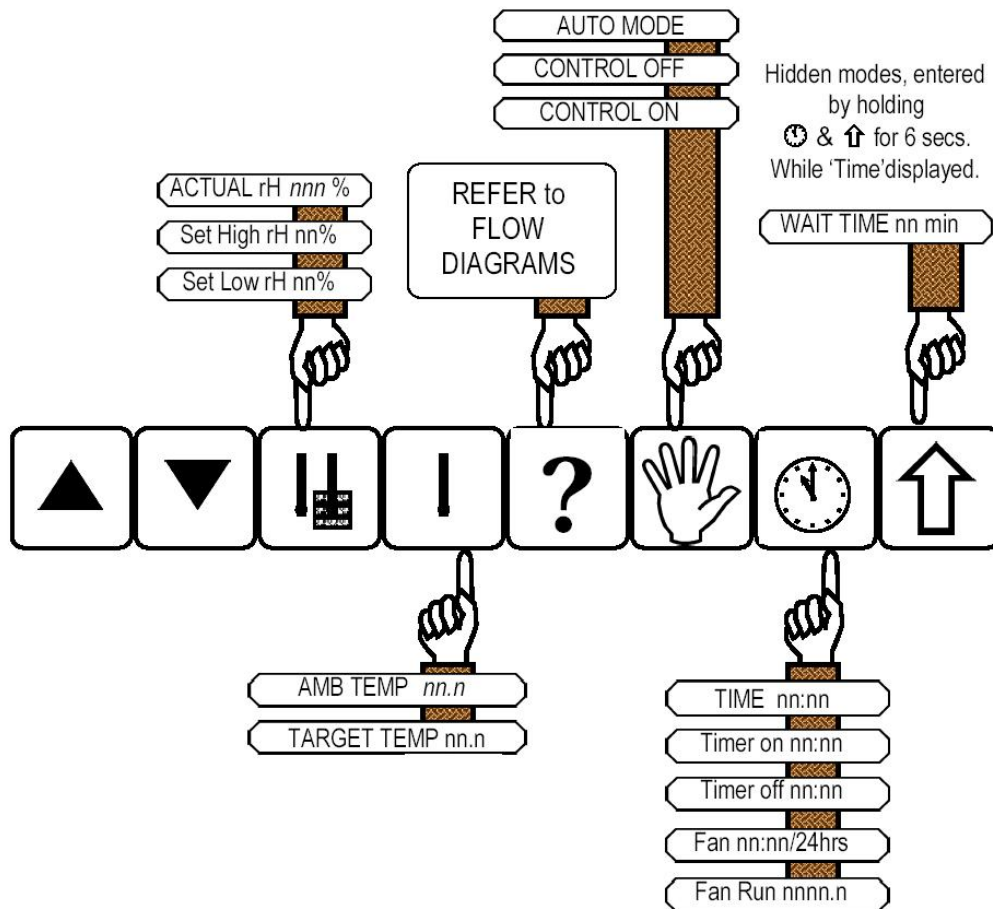
l oner  
p ne T dnr HR32HR

AV003 CVA



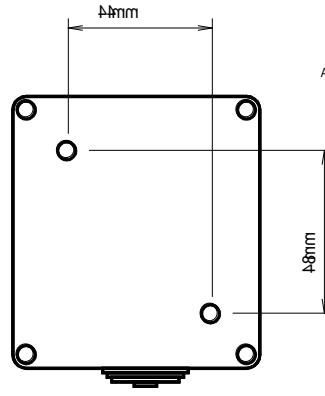
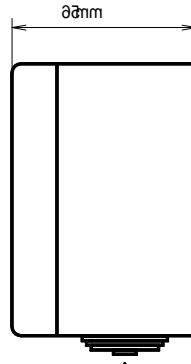
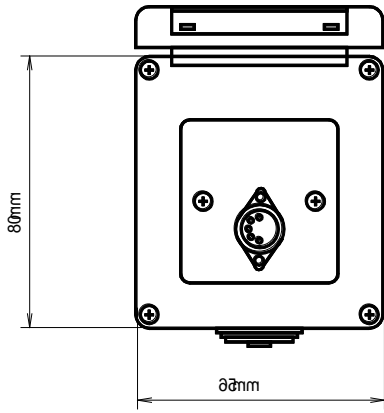
# KEYPAD OPERATION AND DISPLAY MESSAGES

ROBYDOME Ltd.  
AVC300F

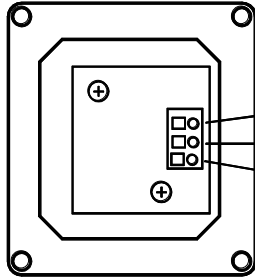


(*n*, *nn*, *nn.n*, *nnn*, *nn:nn*) Indicate numbers that may be adjusted using the ▲▼ keys.  
(*nn*, *nn.n*) Indicate numbers representing readings.

33BC 250 025



eq veditx e w dntj cennoc



STATED NTCENNOC  
ei w u n d B  
ei w u e e G w d Y  
ei w e n B

ROBYDOME LTD 2007	
V o c b r i t e 18 u s a s e e 9 e m	
T e l : + 4 4 1 1 3 2 7 1 3 2 7 1 0 1 3 6	
F a c s : + 4 4 1 1 3 2 7 1 3 2 7 1 0 1 3 6	
E m a i l : r o b y d o m e @ r o b y d o m e . c o m	
T i t l e : CB33	
P a r t n o : 250-657	
F i t n e s s : 250-657e.SKD	
E n g i n e e r : 2	
A p p r o v e d b y : G.M	
D a t e : 10-06-07	

# ROBYLINK INSTORE JUNCTION BOX

