

HTM200

Digital Temperature Monitor

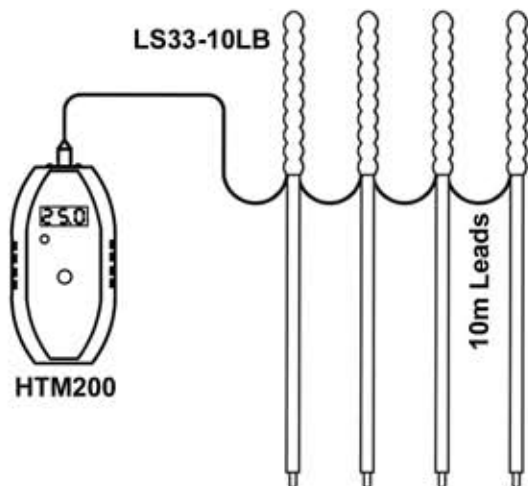
Assure the quality of your crops in store- with easier, faster and more accurate tracking of grain temperatures and condition

Floor Stores Bins & Silos

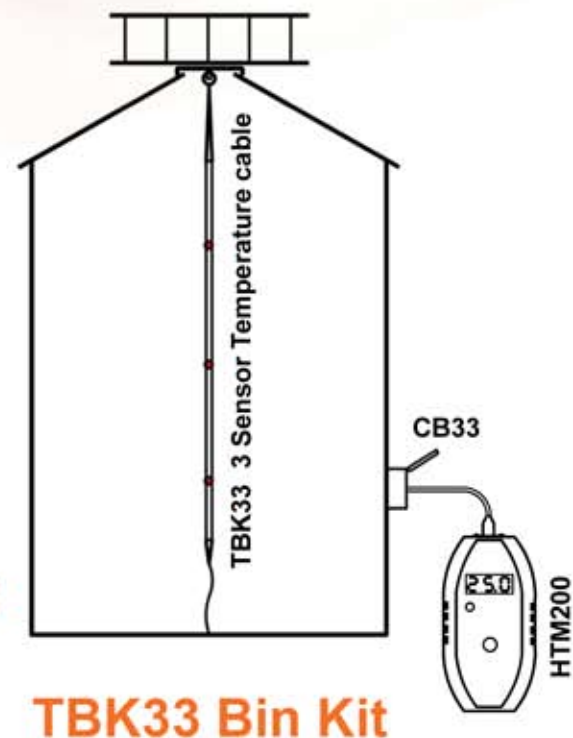
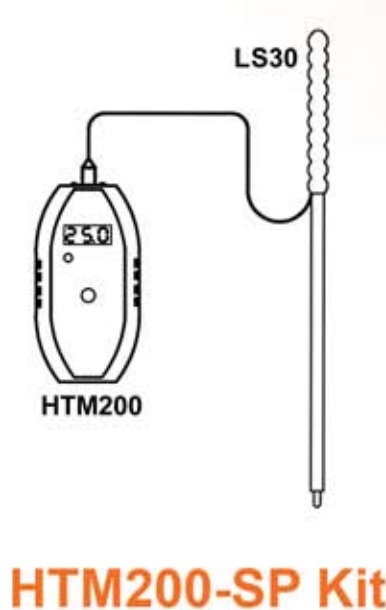


Key Features

- Single or Multiple sensor readings
- Very simple to use, one key operation
- Clear L.E.D display
- Ergonomic unit
- Reliable through design
- Easily expandable
- Single unit monitors up to 4 probes
- Suitable for Silos and Floor Stores
- Robust temperature Lances
- 2m and 3m Lance probe lengths
- Easy installation and set-up



HTM200-FP Kit



RobyDome Electronics
Woodhall Business Park, Sudbury, Suffolk
CO10 1WH, UK
Phone: +44 (0)1787 310163
Fax: +44 (0) 1787 880631
Email: roby@robbydome.co.uk



ROBYlink
- COMPATIBLE -

HTM300

Digital Temperature Monitor

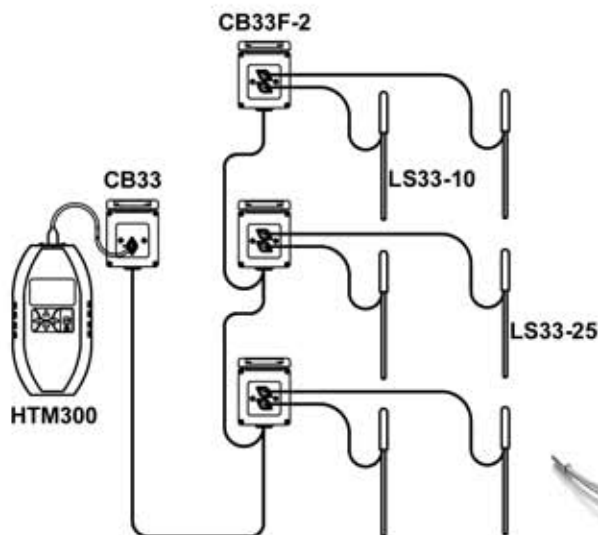
Assure the quality of your crops in store- with easier, faster and more accurate tracking of grain temperatures and condition

Floor Stores Bins & Silos

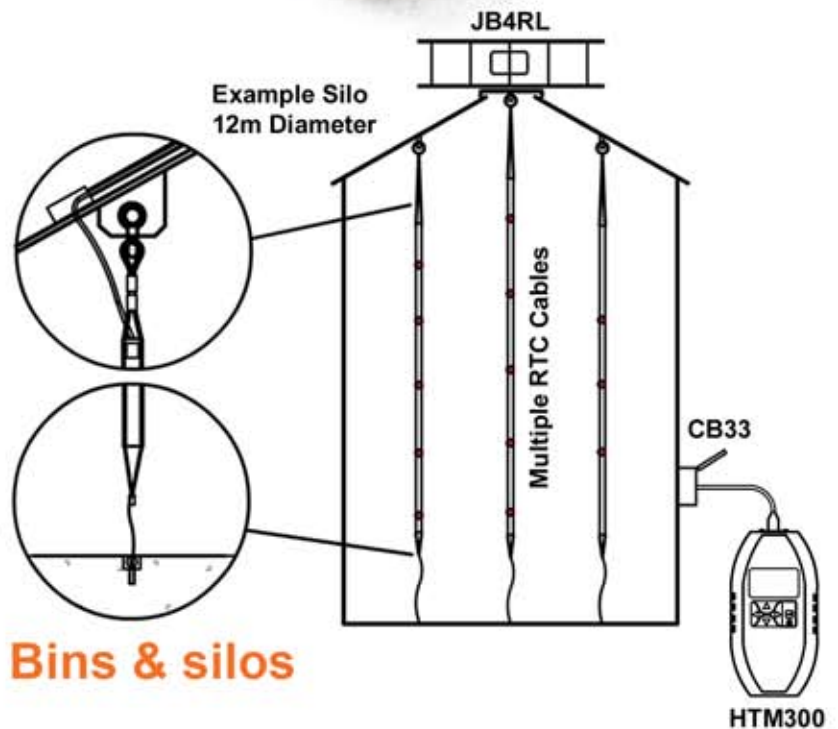


Key Features

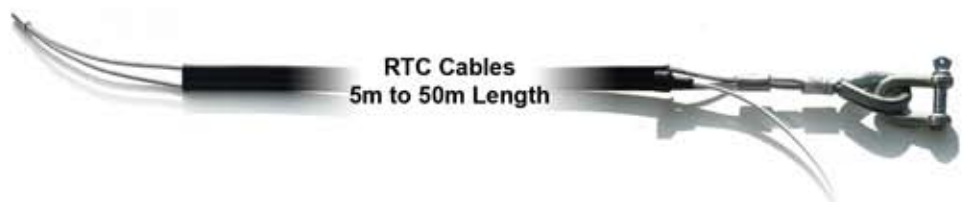
- Multiple sensor readings
- Clear back-lit display
- Ergonomic unit
- Simple to use
- Reliable through design
- Easily expandable
- Single unit monitors multiple stores
- Log & Down-load temperatures to your PC
- Suitable for Silos and Floor Stores
- Robust temperature Lances
- 2m and 3m Lance probe lengths
- Ease of installation and set-up



Floor Stores



Bins & silos



Robydome Electronics

Woodhall Business Park, Sudbury, Suffolk

CO10 1WH, UK

Phone: +44 (0)1787 310163

Fax: +44 (0) 1787 880631

Email: robym@robym.com



ROBYlink[®]
- C O M P A T I B L E -